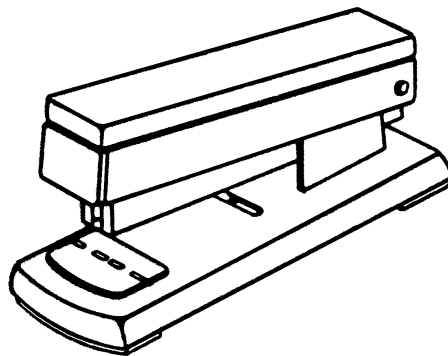


"ZENITH" 500

DESK STAPLER

Materials:

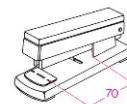
- metal base and body with rubberized anti-scratch feet
- ABS anti-shock plastic cap
- lead free enamel painting highly resisting wear and corrosion



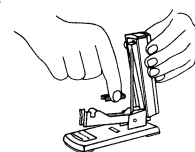
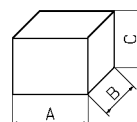
Technical / functional features:

• Stapling:		
• Staple type:	24/6 - 24/8	26/6 - 26/8
• ZENITH staple ref.:	515-115	512-112
• Loading capacity (N° of staples):	100	150
• Stapling capacity (N° of sheets - 80 g/sqm):	20 (24/6 - 26/6 staples)	35 (24/8 - 26/8 staples)

- **Max. stapling depth (for paper insertion):** 70 mm

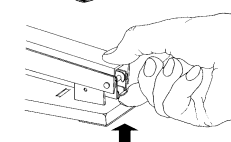


• Colours:	BLACK - GREY
• Packaging:	box containing a stapler and a box of "ZENITH" staples ref. 515
• Box dimensions:	15 x 6,7 x 6,5 cm
• Weight:	335 g (net) / 425 g (gross, including a box of "ZENITH" staples ref. 515)
• N° of items per carton:	60 (packets of 5 pieces)
• Carton dimensions:	47 x 38 x 35 cm (AxBxC)
• Carton weight:	25,5 Kg



Loading system: top loading; pull-up the cap and insert staples

Patented anti-jamming device.



Descriptive notes:

"ZENITH" 500 offers good performance with respect to stapling capacity and depth so that it is perfectly suitable for any kind of office work.

Quality: to maintain the high quality standard guaranteed by all "ZENITH" products, each stapler is tested piece by piece. **Life-Guarantee for manufacturing defects.**

In addition: "ZENITH" 500 is light and easy to use because of its practical top loading system and is perfect for all stapling requirements. It offers the possibility to staple in three different ways and it can also be used as a tacker.