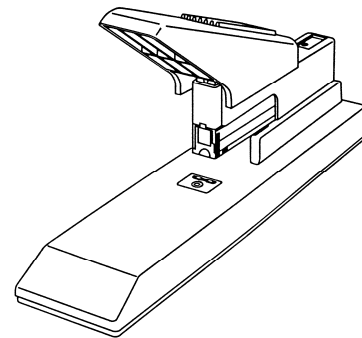


# ETONA EC-3

## heavy duty cassette stapler

### Materials:

- made entirely in fiberglass
- anti-sliding and anti-shock rubber base



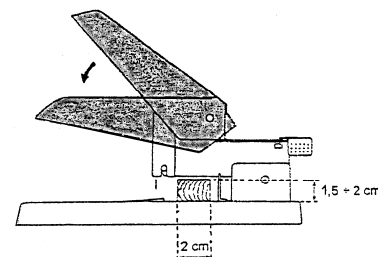
### Technical / functional features:

• <b>Stapling:</b>	closed staple			
• <b>ETONA staples (in cassette) ref.:</b>	HDC-6	HDC-8	HDC-10	HDC-12
• <b>Loading capacity (N° of staples):</b>	210 (1 cassette)			
• <b>Stapling capacity (N° of sheets - 60 g/sqm):</b>	30	50	70	100
• <b>Max. stapling depth (for paper insertion):</b>	30 mm			
• <b>Colour</b>	GREY/PALE GREY			
• <b>Weight (net/gross):</b>	350/630 g			
• <b>Dimensions (mm):</b>	296 x 70 x 142			

**Loading system:** with extractable staple-cassette.



**Anti-jamming device:** put an object whose thickness is at least cm 1,5 between stapler body and its base, in order to stop usual body stroke; by lowering the handle, as to staple, the jammed staple will be removed.



The heavy duty cassette stapler ETONA EC-3, manufactured by SEBEK LIMITED - TOKYO, is distributed in Italy exclusively by **BALMA, CAPODURI & C. s.p.a.**, which assures a **good after-sale service too**.

**Descriptive notes:** It is equipped with a practical staple-cassette loading system, it is easy and handy to use. In addition, the colours printed upon the stapler base clearly show the exact type of staple-cassette to be used according to the different thickness of the paper to be stapled. The pressure to do upon the handle also for stapling reasonable thickness of paper is really limited. It is supplied with 4 ETONA staple-cassettes.

### Product Safety (Regulation (EU) 2023/988):

#### Risks

- Remote risk of finger pinching in the stapling area.
- Remote risk of being pricked during stapling;
- Remote risk of being hit by the duty staple-cassette in case it accidentally disengages.

#### Recommendations

- Do not place the stapler on delicate surfaces: the pressure applied during stapling may cause damage.
- Avoid stapling in ways that may bring staples into direct contact with food;
- Do not insert fingers into the stapling area during use.
- Do not load the stapler with more than 100 staples (1 block) to prevent accidental ejection of the staple pusher.
- Do not leave the stapler within reach of children without adult supervision.