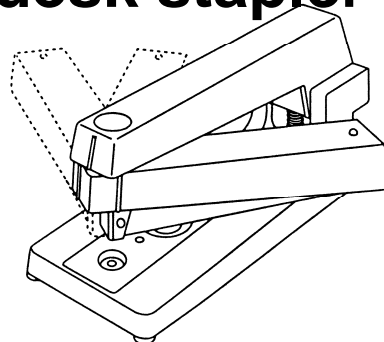



ETONA SWIVEL-210 arm desk stapler

Materials:

- metal body
- fiberglass base and cap

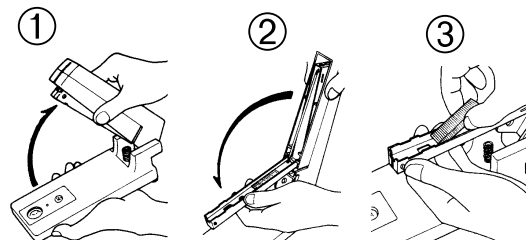


Technical / functional features:

• Stapling:	
• Staple type:	26/6
• Loading capacity (N° of staples):	210
• Stapling capacity (N° of sheets - 60 g/sqm):	24
• Max. stapling depth (for paper insertion):	140 mm
• Colour:	GREY/PALE GREY
• Weight (net/gross):	380 / 445 g
• Box dimensions (mm):	222 x 85 x 80

Loading system:

1. Pull-up the cap
2. Open the stapler body
3. Insert staples



The ETONA SWIVEL - 210 arm desk stapler, manufactured by SEBEK LIMITED - TOKYO, is distributed in Italy exclusively by **BALMA, CAPODURI & C. s.p.a.**, which assures a **good after-sale service too.**

Descriptive notes:

Thanks to the 360° swivelling of the stapler arm, which allows to staple with 12 different angles, Swivel-210 is ideal for making easily brochures, boxes, ect.