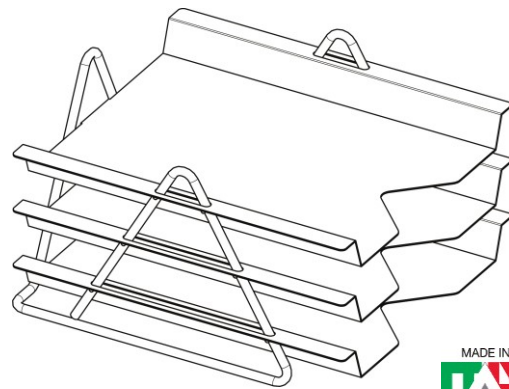


"ZENITH" 830

LETTER TRAY

Materials:

- Support made of nickel-plated metal
- Trays made of metal, with lead-free enamels painting highly resisting wear and corrosion



Technical / functional features:

Letter trays: No. 3, one above the other

Trays dimensions: for A4 sheets up to cm 23 x 32

Colour: BLACK - WHITE

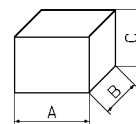
Weight: 4445 g (net) / 4850 g (gross)

Box dimensions: 29 x 33 x 19,5 cm

N° of items per carton: 1

Carton dimensions: 38 x 32,5 x 24 cm (AxBxC)

Carton weight: 5,6 Kg



Descriptive notes:

The "ZENITH" letter tray, whose innovative shape is protected by a utility model patent, combines the characteristics of sturdiness, functionality and design that have always distinguished "ZENITH" products.

Quality: Life-guarantee for manufacturing defects.

In addition:

The particular shape of the nickel-plated support, made of a single piece, in addition to guaranteeing the stability of the trays, makes the letter tray an object with a refined design. The filing system with three metal compartments, equipped with a large central space, allows convenient access to documents.