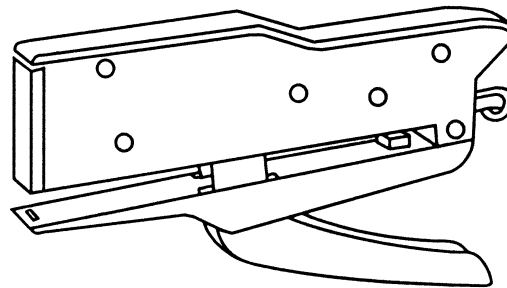



# "ZENITH" 548/E PLIER STAPLER JEANS



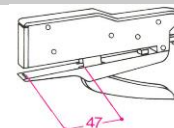
## Materials:

- made entirely in painted metal with nickel-plated finishing
- lead free enamel painting highly resisting wear and corrosion, applied with a special procedure

## Technical / functional features:

• <b>Stapling:</b>		
• <b>Staple type:</b>	6/4	6/6
• <b>"ZENITH" staple ref.:</b>	130/E - 130/Z 130/LM - 130/LL	130/Z 6
• <b>Loading capacity (N° of staples):</b>	100	100
• <b>Stapling capacity (N° of sheets - 80 g/sqm):</b>	15	30

- **Max. stapling depth (for paper insertion):** 47 mm

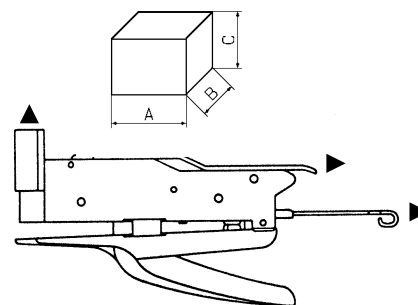


- <b>Colours:</b>	BLUE (JEANS)
• <b>Packaging:</b>	box containing a stapler and a box of "ZENITH" staples ref. 130/E
• <b>Box dimensions:</b>	15,4 x 8,7 x 1,6 cm
• <b>Weight:</b>	240 g (net) / 285 g (gross, including a box of "ZENITH" staples ref. 130/E)
• <b>N° of items per carton:</b>	60 (packets of 10 pieces)
• <b>Carton dimensions:</b>	32,5 x 27 x 21 cm (AxBxC)
• <b>Carton weight:</b>	17,5 Kg

**Loading system:** rear loading, with extractable pusher

**Patented anti-jamming device.**

The plier directions are on the back of the packaging.



## Descriptive notes:

The JEANS version of the "ZENITH" stapler ref. 548/E has aesthetic characteristics and colour shades similar to the Denim fabric, the fabric of Jeans trousers.

Even the surfaces of the body and of the handle have a light, pleasant roughness, which reminds of that fabric. Thanks to the special application procedure of enamels of different colours, each piece, in terms of hue and shades, appears different from the others, thus becoming essentially unique!

It is a special limited edition, accompanied by a nice packaging which presents the product in an original way; moreover, a small cardboard inserted inside (that resembles a jeans label) best illustrates its special characteristics.

The technical and functional features are the same as the standard ZENITH 548/E.

**Quality:** to maintain the high quality standard guaranteed by all "ZENITH" products, each plier stapler is tested piece by piece. **Life-guarantee for manufacturing defects.**

**In addition:** "ZENITH" 548/E has been improved over the years through many technical innovations unknown to the end user but useful to enhance its already envious perfection.

"ZENITH" 548/E JEANS can also staple with the "ZENITH" staples ref. 130/Z6 (length of legs 6 mm) up to 30 sheets!